



Underscore® Rectangle

60" x 30" heated whirlpool bath w/ left drain
K-1167-JLH

Features

- Eight Flexjet® hydromassage jets can be individually adjusted for water flow and direction.
- Single-speed whirlpool offers performance and value with 8 fully adjustable jets.
- Built-in heater.
- Slotted overflow allows for deep soaking.
- Integral lumbar support.
- Textured bottom surface.

Material

- Acrylic.

Installation

- Alcove.
- Integral flange.
- Left drain.
- 120 V electrical requirement allows for easy installation with standard outlet.
- Requires one dedicated circuit.

Required Products/Accessories

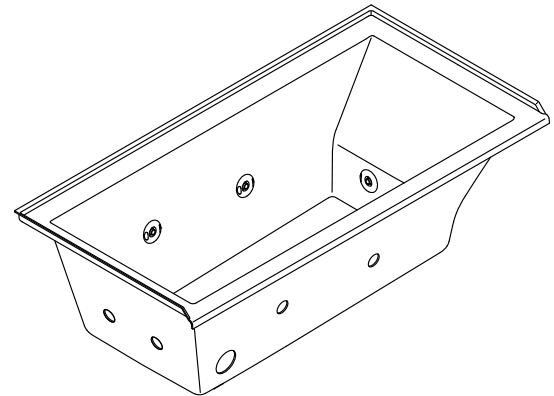
K-7271 Brass Slotted Overflow Bath Drain

or

K-7272 PVC Slotted Overflow Bath Drain

Recommended Products/Accessories

- K-1491 Bath/Whirlpool Pillow
- K-1601 Bath/whirlpool footstop, removable
- K-24916 Wireless Music Kit
- K-702200-G73 Frameless Sliding Bath Door
- K-702200-L Frameless Sliding Bath Door
- K-706000-D3 Frameless Sliding Bath Door
- K-706000-L Frameless Sliding Bath Door
- K-706003-L Frameless Sliding Bath Door
- K-706004-D3 Frameless Sliding Bath Door
- K-706004-L Frameless Sliding Bath Door
- K-706007-L Frameless Sliding Bath Door



ADA

Codes/Standards

ASME A112.19.7/CSA B45.10
CSA B45.5/IAPMO Z124
ASTM E162
ASTM E662
UL 1795
CSA C22.2 No. 218.2
ADA
ICC/ANSI A117.1

KOHLER® Plastic Baths and Receptors Lifetime Limited Warranty KOHLER® Hydrotherapy Components Five-Year Limited Warranty

See website for detailed warranty information.

Available Colors/Finishes

Color tiles intended for reference only.

Color	Code	Description
	0	White
	96	Biscuit
	NY	Dune
	95	Ice™ Grey
	58	Thunder™ Grey
	7	Black Black™

1-800-4KOHLER (1-800-456-4537)

Kohler Co. reserves the right to make revisions without notice to product specifications.

For the most current Specification Sheet, go to www.kohler.com.

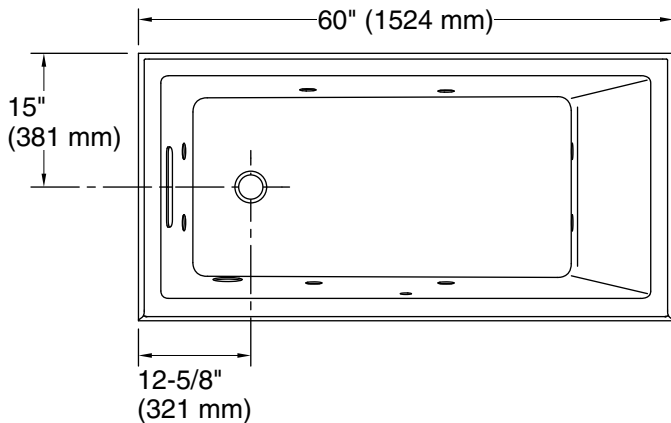
10-4-2021 04:41 - US/CA

THE BOLD LOOK
OF **KOHLER**®

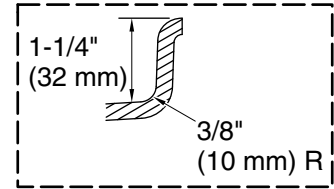


Underscore® Rectangle

60" x 30" heated whirlpool bath w/ left drain
K-1167-JLH

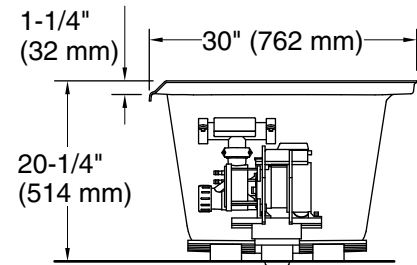
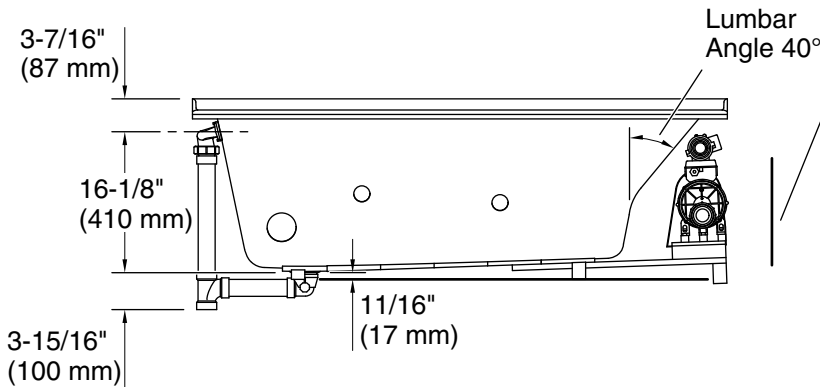


No change in measurements if connected with drain illustrated. (K-7271)



Integral Flange Detail

Blower Motor Access
20" (508 mm) W x 15" (381 mm) H Min



1-1/2" Bath Drain

Required Electrical Service

Two dedicated circuits required, protected with Class A Ground-Fault Circuit-Interrupter (GFCI). Outside North America, this device may be known as a Residual Current Device (RCD).

- Pump: 120 V, 15 A, 60 Hz
- Heater: 120 V, 15 A, 60 Hz

Technical Information

All product dimensions are nominal.

- Installation: Drop-in
- Basin area, bottom: 42-7/16" x 20" (1078 mm x 508 mm)
- Basin area, top: 54-5/16" x 24-1/4" (1380 mm x 617 mm)
- Weight: 120 lbs (54.4 kg)
- Minimum floor load: 46 lbs/ft² (224.6 kg/m²)
- Water depth: 14-3/4" (374 mm)
- Water capacity: 59.8 gal (226.4 L)
- Cutout: Drop-in, 59-1/2" x 28-1/2" (1511 mm x 724 mm)
- Electrical component rating: Pump: 120 V, 7 A, 60 Hz
Heater: 120 V, 12 A, 60 Hz

Notes

Measure your actual product for rough-in details.

Install this product according to the installation instructions.

The hot water supply should be 70% of the capacity of the bath or greater. Installations will vary.

ADA compliant when installed to the specific requirements of these regulations.